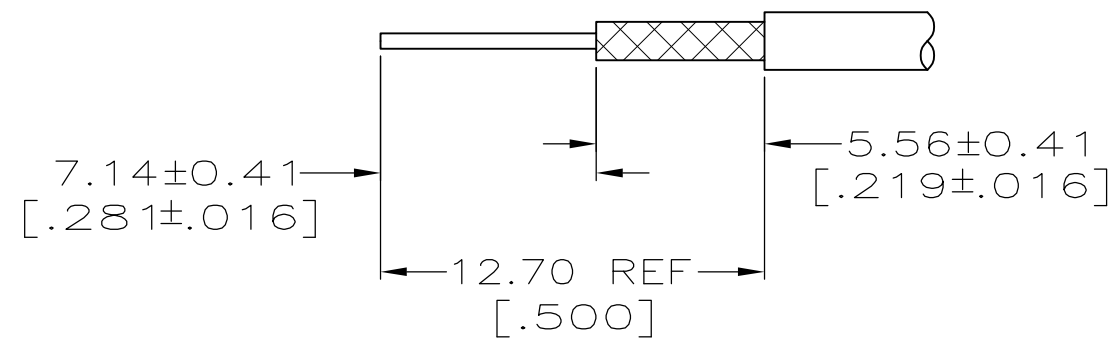
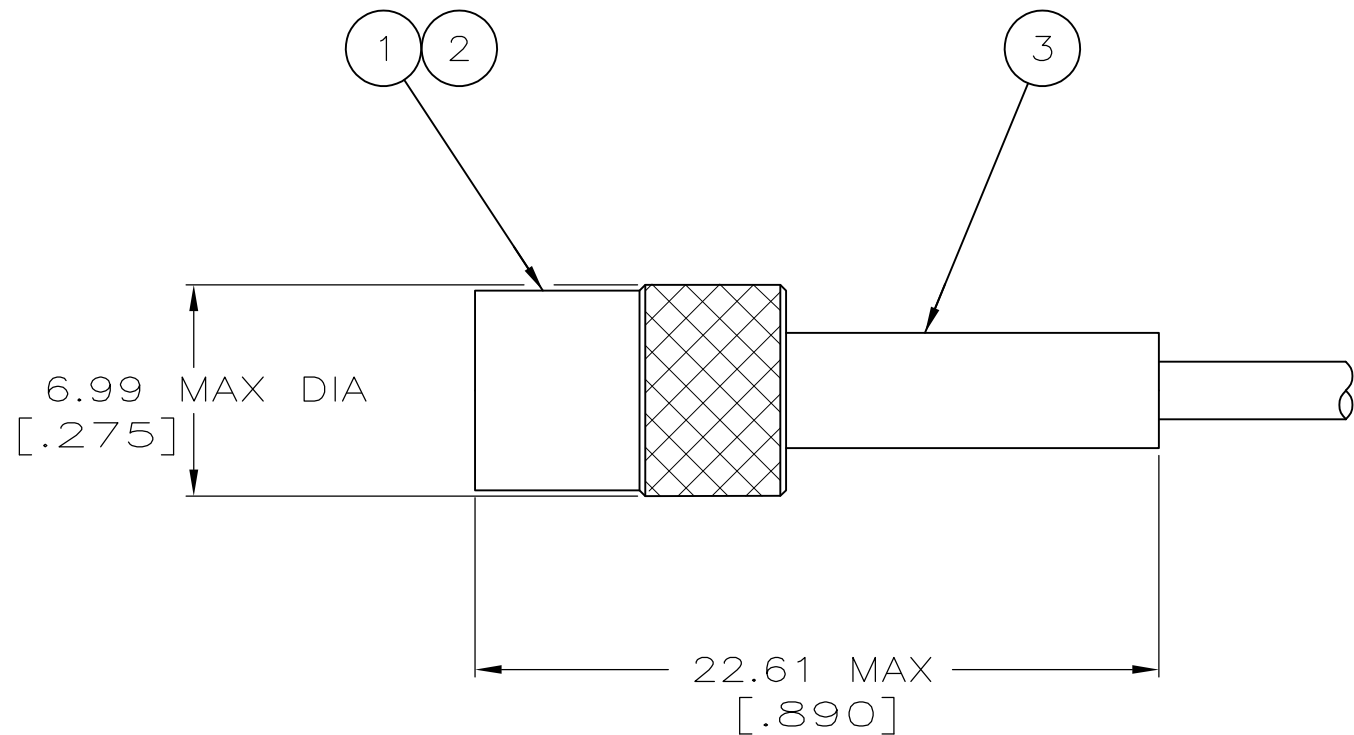


THIS DRAWING IS UNPUBLISHED. RELEASED FOR PUBLICATION  
 © COPYRIGHT BY TYCO ELECTRONICS CORPORATION. ALL RIGHTS RESERVED.

LOC	DIST	REVISIONS					
DF	X0	P	LTR	DESCRIPTION	DATE	DWN	APVD
		P		REV PER ECO 07-014284	6-19-07	CT	WM

- ① RG-179A/U,187/U,174/U,188/U,21-596 & 21-598
- ② RG-161/U,178/U,178A/U & 196/U
- ③ RG-179A/U,187/U,174/U & 188/U
- 4. SEE I.S. 1771
- 5. PARTS ARE PACKAGED UNASSEMBLED



RECOMMENDED STRIP LENGTH

②	69188-1	1-329067-1	1-328695-3	330350-2	2-330311-7
③	45609 & 69142	1-329038-3	1-328695-3	330350-2	2-330311-6
③	45609 & 69142	329038	1-328695-2	330350	2-330311-4
②	69188-1	329067	1-328695-2	330350-1	2-330311-3
②	69188-1	329067	328695	330350	2-330311-2
①	45609 & 69142	329038	328695	330350	2-330311-1
FOR USE WITH CABLE	CRIMPING TOOL	③ FERRULE QTY=1	② RETAINING COLLAR QTY=1	① PLUG ASSY QTY=1	PART NUMBER

THIS DRAWING IS A CONTROLLED DOCUMENT.		DWN J.DAVIS 01/26/93	Tyco Electronics Corporation Harrisburg, PA 17105-3608		
DIMENSIONS: INCHES		CHK G.MICHAEL 01/29/93	NAME CONN,COAX,RF PLUG,MIN THD'D		
TOLERANCES UNLESS OTHERWISE SPECIFIED:		APVD G.MICHAEL 1-29-93	PRODUCT SPEC		
0 PLC ± - 1 PLC ± - 2 PLC ± - 3 PLC ± - 4 PLC ± - ANGLES ± -		APPLICATION SPEC	RESTRICTED TO		
MATERIAL		WEIGHT	SIZE A3	CAGE CODE 00779	DRAWING NO G-330311
FINISH		CUSTOMER DRAWING		SCALE 4:1	SHEET 1 OF 1
				REV P	